

CREATING POWER SOLUTIONS.



Hatz Hydraulic System Hydraulic Silent Pack

Hatz Systems – Made in Germany



Perfect hydraulic solution from the Hatz modular systems

With a complete hydraulic unit as a series product in modular format, Hatz highlights its expertise in the development of customer-oriented solutions.

The brand-new Hatz hydraulic units are a globally unique concept. A multitude of hydraulic power data from an existing series modular system can be realized. Proven for decades on the market, the robust Hatz diesel engines and reliable hydraulic components assure the best result for your area of application. The modular system is fully piped and includes all important hydraulic components such as 120-litre tank, filter, oil cooler with fan, multi-port valve and an optional gear pump or axial piston pump. A variety of hydraulic circuits as well as a remote central unit can also be selected as options from the series of modules.

In the high end version with the EU Stage IIIB Hatz 4H50TIC engine, the new Hatz HAA-55HDCW delivers a hydraulic performance of around 42 kilowatts.

All variants are equipped in the standard with a 24 V start system and powerful batteries in order to start the

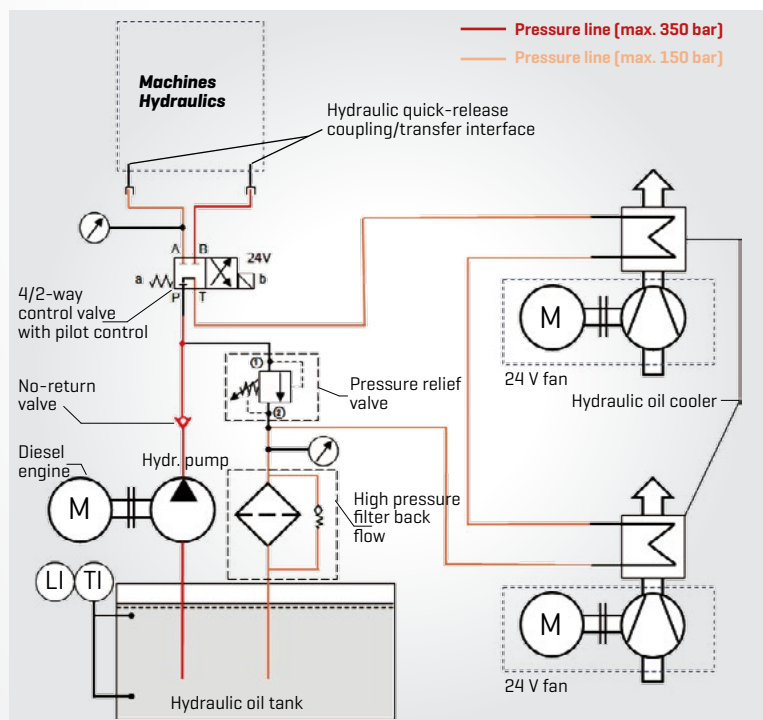
hydraulics reliably, even at the lowest temperatures with high resistances through the hydraulic oil.

The completely encapsulated systems impress with a sound pressure level of less than 65 decibels (A) at a distance of seven meters and the best fuel consumption of all machines in this performance class.

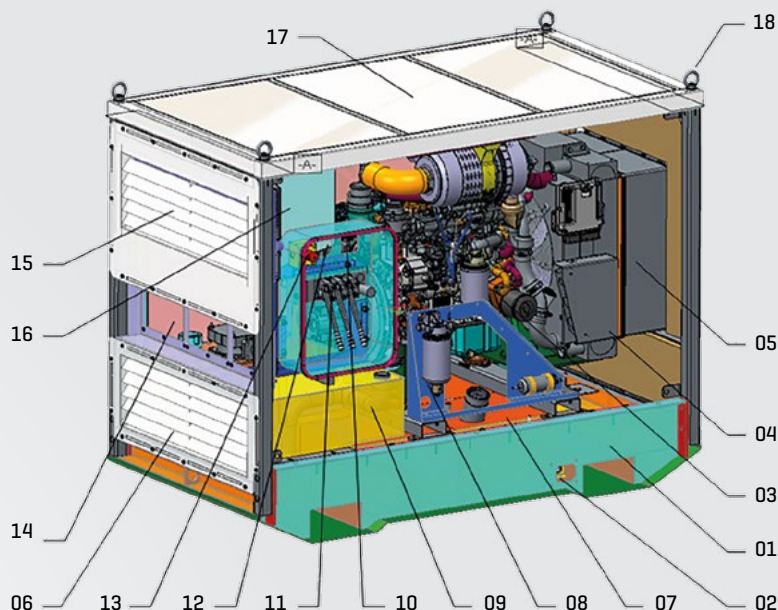
Customizing - Options

- Selection of the suitable hydraulic operating pressure for your machine p [bar]
- Selection of the desired flow rate Q [l/min] depending on the engine speed
- Recommended type based on the application (control, position of the hydraulics transfer interfaces, engine protection)

Systems type	Hatz Engine	Weight [kg]	Emission compliance	Sales area
HAA 24 HDWA	2L41C	720	Stage IIIA	All countries except USA
HAA 36 HDWA	3L41C	780	Stage IIIA	All countries except USA
HAA 48 HDWA	4L41C	850	Stage II	All countries except EU, USA
HAA 55 HDCA	4H50	715	Stage IIIB/Tier 4	Worldwide



Hatz hydraulic system setup



Pos.	Module designation	Pos.	Module designation
01	Base frame – robust welded construction with drawbar eyes and bottom tray tightly welded	10	Hatz Multiflex engine control with key switch
02	Service opening oil drain	11	4/2-way control valve with 24 V priority switching [optional distribution valve block with control lever]
03	Hatz diesel engine type 4H50 TIC OPU 24V	12	Engine speed adjustment
04	Engine cooling air – outlet	13	EMERGENCY STOP system unit switch
05	Engine cooling air – sound insulation group outlet	14	Bulkhead plates for additional hydraulic connections
06	Engine cooling air – inlet	15	Hydraulic oil cooler air inlet
07	Diesel tank 105 litres	16	Hydraulic oil cooler with 24 V fan and air duct with service door on left outlet side
08	Fuel filter and pre-feed pump bracket	17	Sound-insulated capsule made of steel with insulation
09	Hydraulic oil tank, 120 litres with back flow filter	18	Lifting eyes

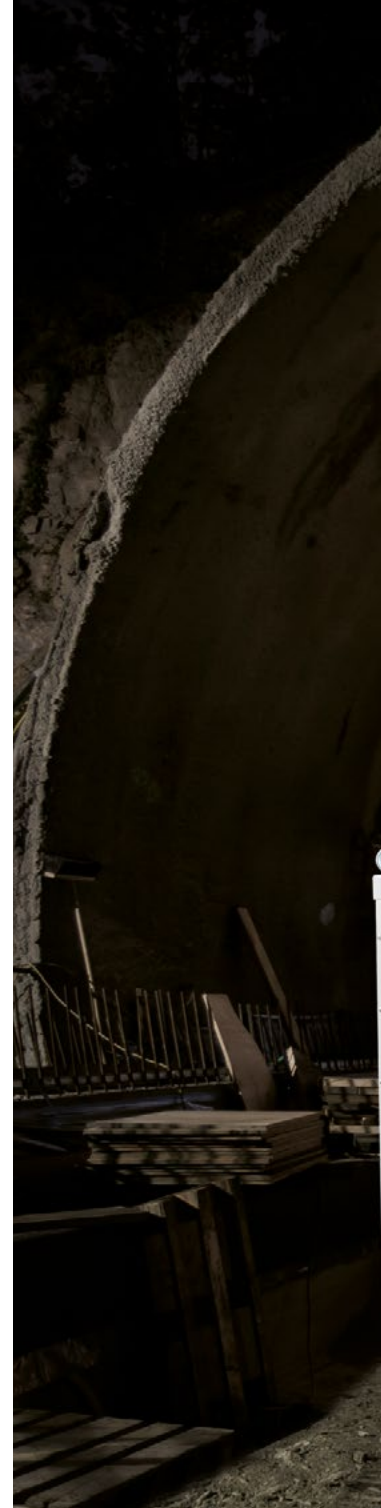
Available variants

Hatz pump type	Discharge flow Q [l/min] at speed n [rpm]							Operating pressure p [bar]	Hydraulic performance [kW] at speed n [rpm]						
	1500	1850	2000	2300	2600	2800	3000		1500	1850	2000	2300	2600	2800	3000
IZ-1	30	37	40	46	52	56	60	160	8.9	11.0	11.9	13.7	15.4	16.6	17.8
IZ-2	38	47	51	58	66	71	76	125	8.8	10.9	11.7	13.5	15.3	16.4	17.6
IZ-3	47	58	62	72	81	87	94	100	8.7	10.7	11.6	13.3	15.1	16.2	17.4
IZ-4	61	75	81	94	106	114	122	160	18.1	22.4	24.2	27.8	31.4	33.8	36.3
IZ-5	75	93	101	116	131			125	17.5	21.6	23.3	26.8	30.3		
IZ-6	97	120	129	149				100	18.0	22.2	24.0	27.6			
AK-01	24	30	32	37	42	45	48	350	15.6	19.2	20.8	23.9	27.0	29.1	31.2
AK-02	30	37	40	46	52	56	60	350	19.5	24.0	26.0	29.9	33.8	36.4	39.0
AK-03	35	43	46	53	60	64		350	22.4	27.6	29.9	34.4	38.8	41.8	
AK-04	42	52	56	64				350	27.3	33.6	36.4	41.8			
AK-05		59	64					350		38.4	41.6				
AK-08	38	46	50					200	13.9	17.2	18.6				
AK-09	45	56	60					210	17.5	21.6	23.4				
AK-10	57	70	76					260	27.5	33.9	36.7				
AK-11	68	83	90	104				210	26.3	32.4	35.1	40.3			

Recommended type:

■ HAA 24 HDWA
 ■ HAA 36 HDWA
 ■ HAA 48 HDWA
 ■ HAA 55 HDCA

Hatz Power Systems
Motorenfabrik Hatz GmbH & Co. KG
Ernst-Hatz-Str. 16
94099 Ruhstorf a.d. Rott
Germany
Phone +49 8531 319-0
Fax +49 8531 319-418
systems@hatz-diesel.de
www.hatz-diesel.com



702.540.53 EN-03.16-1 Printed in Germany
Modifications, which serve the technical
improvements, are reserved.



CREATING POWER SOLUTIONS.